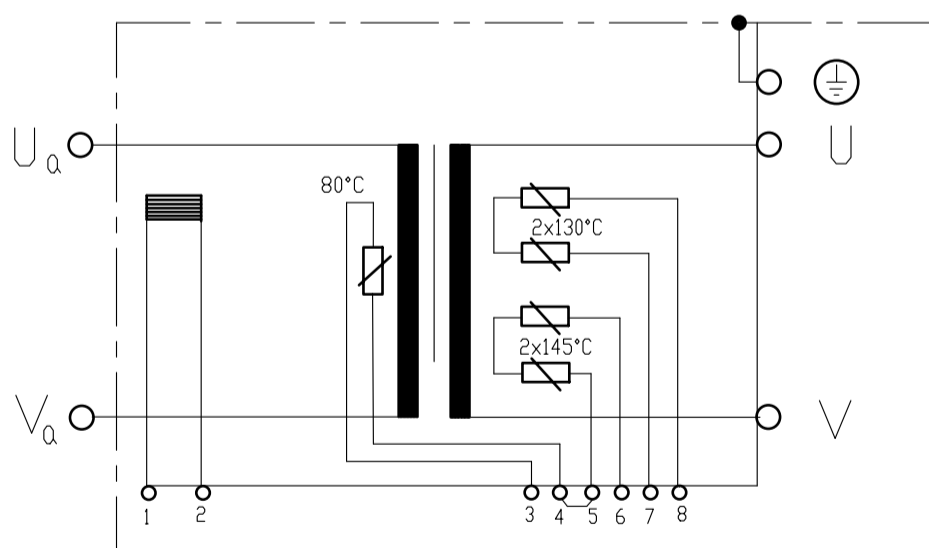


View X
without cover $\surd = \surd R_z 3,2$



- Klemmen 1-2 : 1 current monitoring coil 150mV/KA
 - Klemmen 3-4 : 1 temperature switch primary 80 °C
 - Klemmen 5-6 : 2 temperature switch primary 145 °C
 - Klemmen 7-8 : 2 temperature switch primary 130 °C
- temperature switches outside connect in series

rights reserved technical changes

standards	EXPERT standard	Primary voltage	Frequency	Primary const current	short circuit values			code	
					voltage	power factor	current		
type		U_{IN} / V	f / Hz	I_{IP} / A	$U_{cc} \%$	$\cos \rho_{cc}$	I_{2cc} / kA		
10-0-33.3-335-400-TM		400	50	838				TEH335/0001	
sec.voltage U_{20} / V		step 1	step 2	step 3	step 4	step 5			
perm-sec-current $I_{2P} / kA; X=100\%$		10.05	quantity of cooling water min.: 8 l/min input temperature max.: 30C pressure difference max.: 0,6 bar			Transformer heating technology			
protective measures: DIN; VDE 0113/86; VDE 0545/EN50063			for dimensions without any indicated						
standards : DIN 44766; DIN 40050; ISO 5826;VDE		tolerances acc to DIN 7168-mittel			S		EXPERT TRANSFORMATORENBAU GMBH D-64653 LORSCH		
protection class		insulation-class	mass	COLOUR	replacment for	date			name
transformer : IP 65		F	m / kg	RAL4035	2007	Gez.			Boltz
prim-terminal-box : IP 54						Gepr.			
sec connection : IP 00				grey					